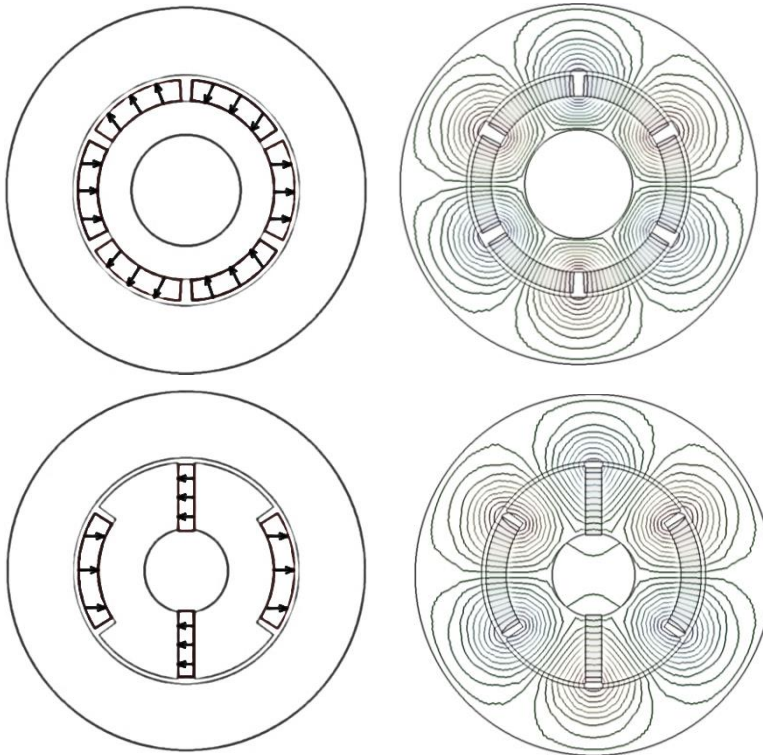


Flux Barrier Rotors

Cutting Edge Technology

Many magnet rotors are not as cost efficient as they could be. The improvement can be done very simple – with flux barriers. In a rotor with flux barriers the flux is channeled into the most advantageous direction. The result is an increasing torque and efficiency – or alternatively the same torque with much less amount of magnet material. For exemplary PMSM up to 45% lower amount of magnets is possible – this saves costs and is good for the environment.

Optimize your machines – with flux barrier rotor technology!



Same Stator, new Rotor	Reference Rotor	New rotor
Stator slots	72	72
Rotor poles	12	12
Stator diameter [mm]	242	242
Rotor diameter [mm]	178,6	178,6
Gap length [mm]	0,76	1
Stack length [mm]	132,3	132,3
Magnet weight [kg]	2,0	1,27
Machine Power [kW]	125	125
Machine Torque [Nm]	250	250