

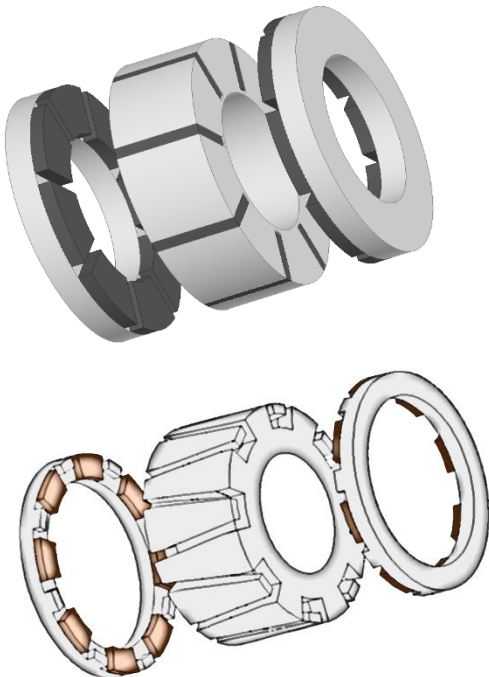
# 3D Excited Rotor

## Multidimensional Innovation

Claw-pole generators are known for their robustness and availability. But often the power density is a problem – especially in the context of hybrid cars with belt driven starter generators.

With a 3D excitation it is possible to solve the problems. Adding a small amount of magnet material the power increases massively - and the rotor itself stays almost the same. The stator doesn't need to be changed at all. Therefore the solution is easy to implement and cost efficient at the same time.

*Optimize your machines – with 3D excitation technology!*



Claw-pole motor with 3D-Excited rotor

